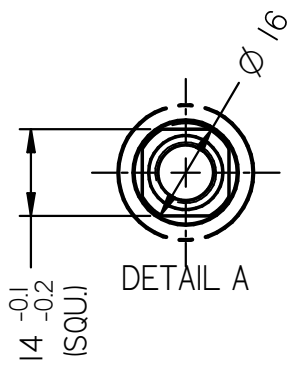
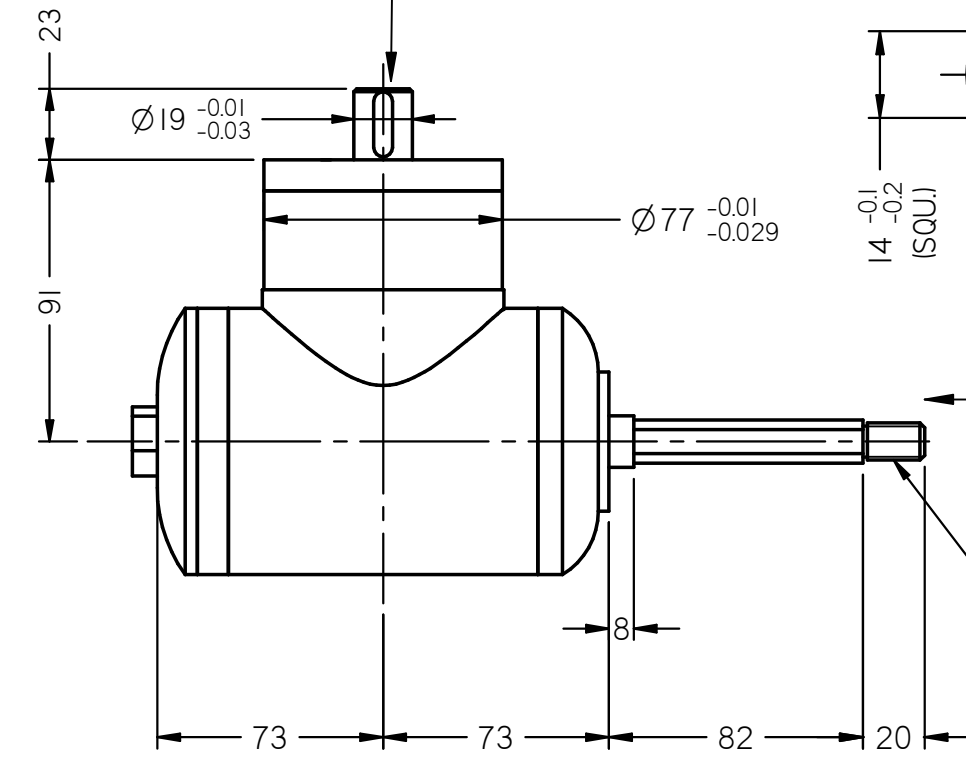


CW ROTATION  
LOOKING FROM THIS SIDE  
↓

4 HOLES M6 THRO'  
AT 62 PCD

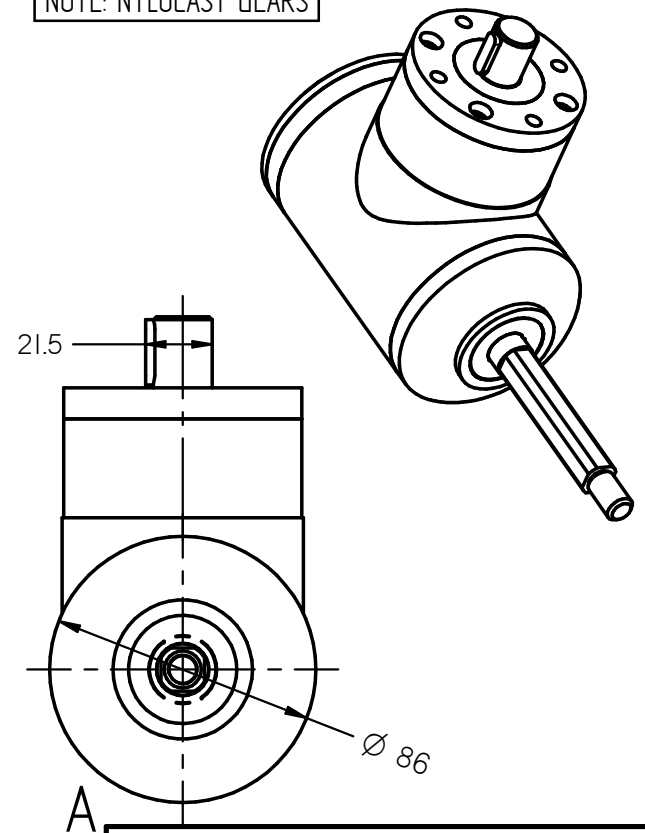


CCW ROTATION

MI2x1.75P

TORQUE RATING			
DRG. NO.	TORQUE AT 1000 RPM	TORQUE AT 1400 RPM	TORQUE AT 2800 RPM
TECHNO-3014	6	5	3
UNITS: TORQUE-NM, WEIGHT-KG, DIMENSIONS-MM			

NOTE: NYLOCAST GEARS



APPROX. WT. 5.5 KG

TECHNOCAST ENGINEERS B-19,MIDC FLATTED FACTORY,L.B.S. ROAD, THANE-400 604.		
SIZE A4	G.A. DRAWING-BOM	REV 16.02.18
TECHNOCAST BEVEL GEARBOX - 1014		
SCALE: NTS	WEIGHT:	SHEET 1 OF 2